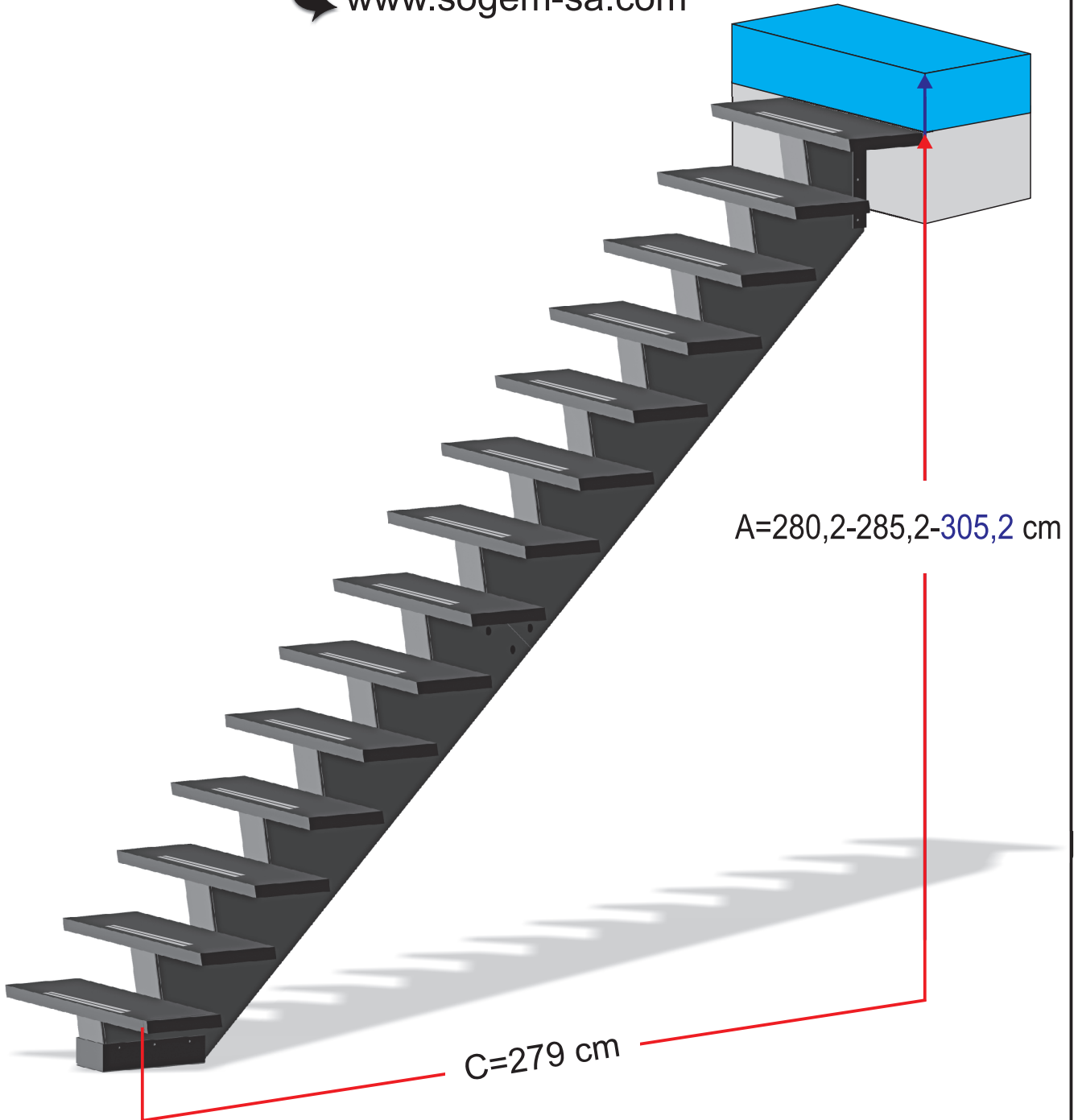




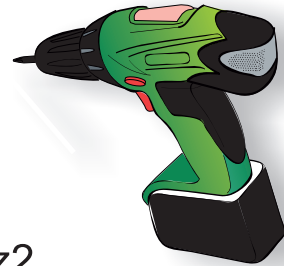
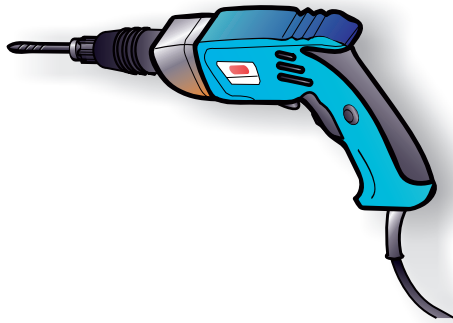
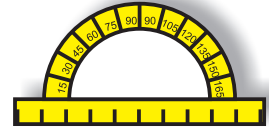
Video
↪ www.sogem-sa.com



**GAMME VOLCANO
GOMERA ESCALIER DROIT**



01	70043030		1946x380x150mm	=1
02	70043031		1910x380x150mm	=1
03			275x850x40mm	=13
04			285x850x40mm	=1
05	70042044		700x80x85mm	=14
06	70041030		Φ5x25mm	=87+2
07	70031033		M8x160mm	=4
08	70041003		35x11x18mm	=8
09	70031034		Φ40xΦ37x19 mm	=8
10	70041004		M8	=8
11	70041026		150x10x20-50mm	=4
12	70041006		M12xΦ16x80mm	=8
13	70041007		Φ7x40mm	=12
14	70041031		Φ20x5 mm	=56+2
15	70041032		Φ50x5mm	=8+1
16	70041016		149x375x10mm	=5
17	70041033		382x159x84mm	=1
18	70041034		315x162x50	=1
19	70041007		Φ6,3x60mm	=29+2
20	70041028		hex 4mm	=1
21	70041056		20 ml	=1
23	70041058		M6x50mm	=28+1
24	70041059		Φ16x15 mm	=28

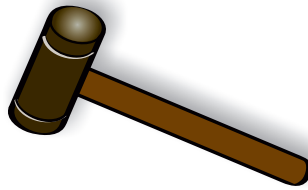


— Pz2

— Ph2



13 mm
19 mm



Pz2
3



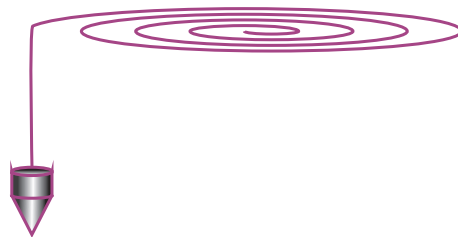
Ph2
3

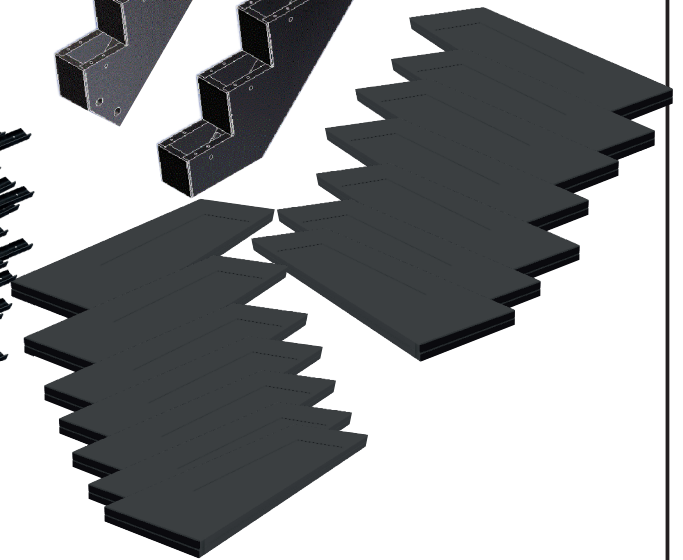
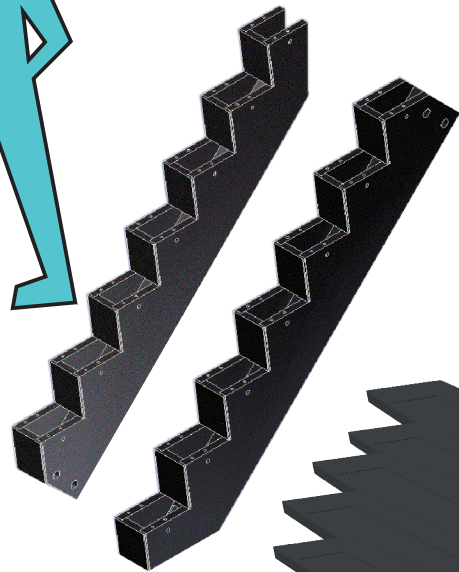
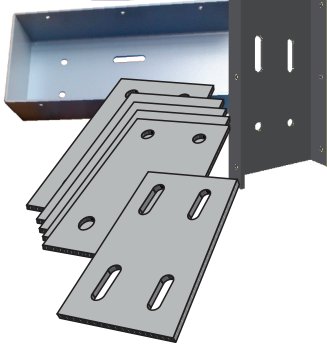
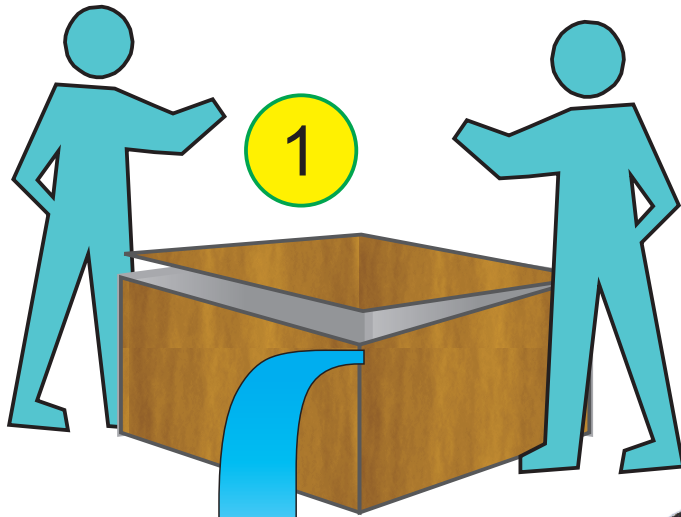


Φ12 x 120mm

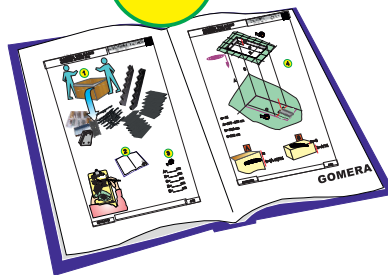


Φ 5 x 70mm

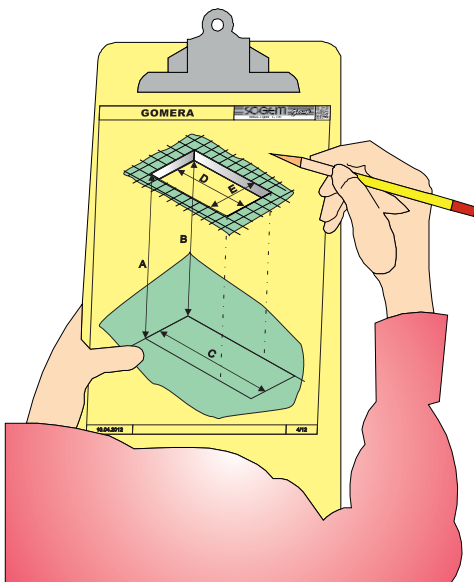




2



3



A= _____ cm

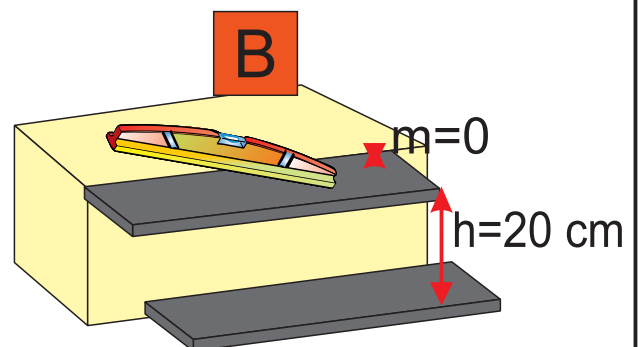
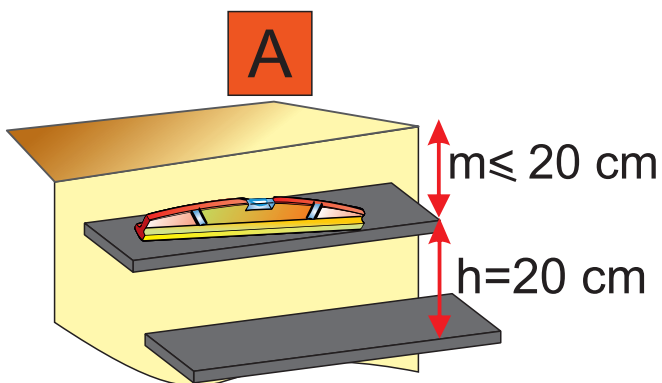
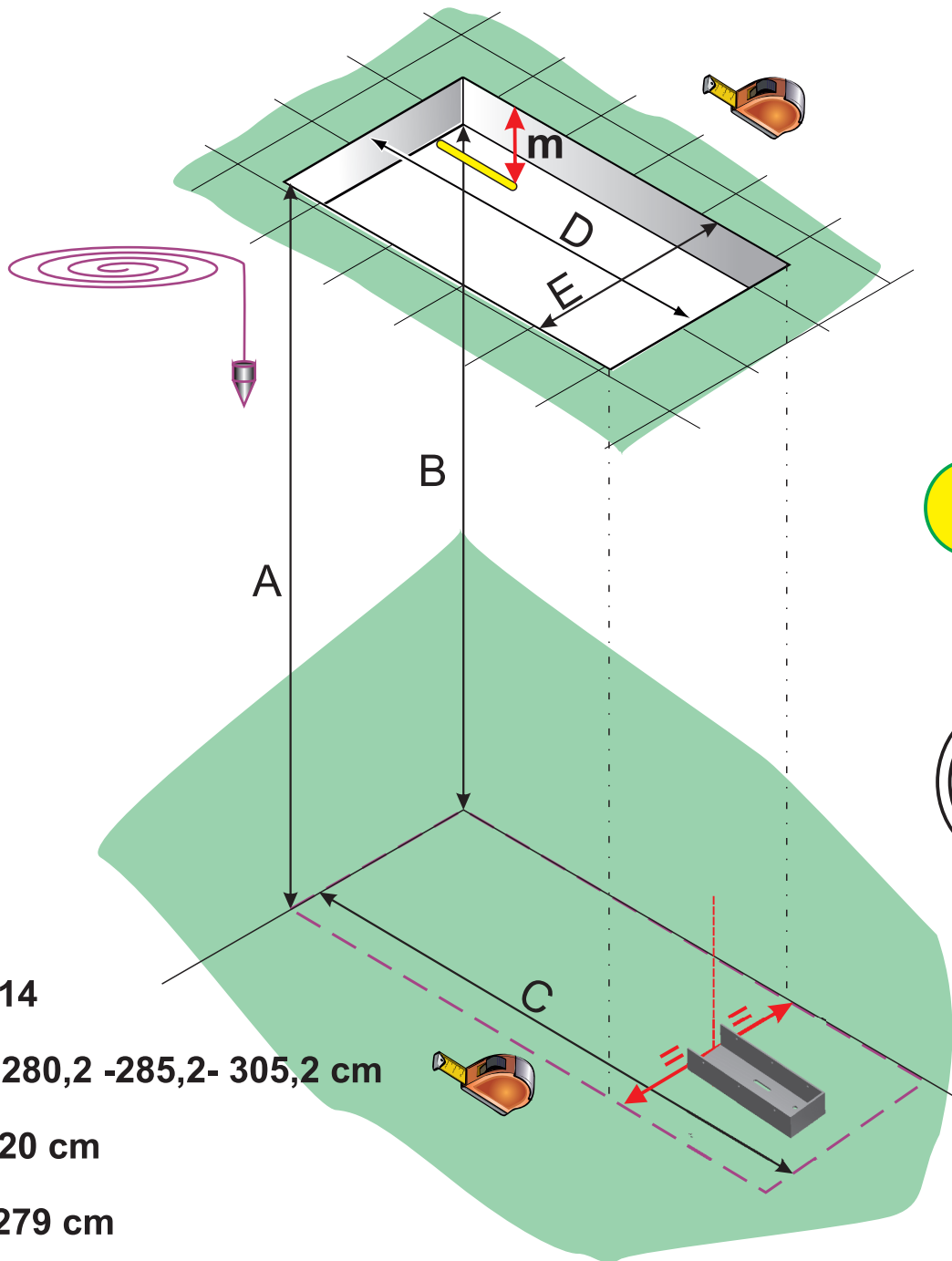
B= _____ cm

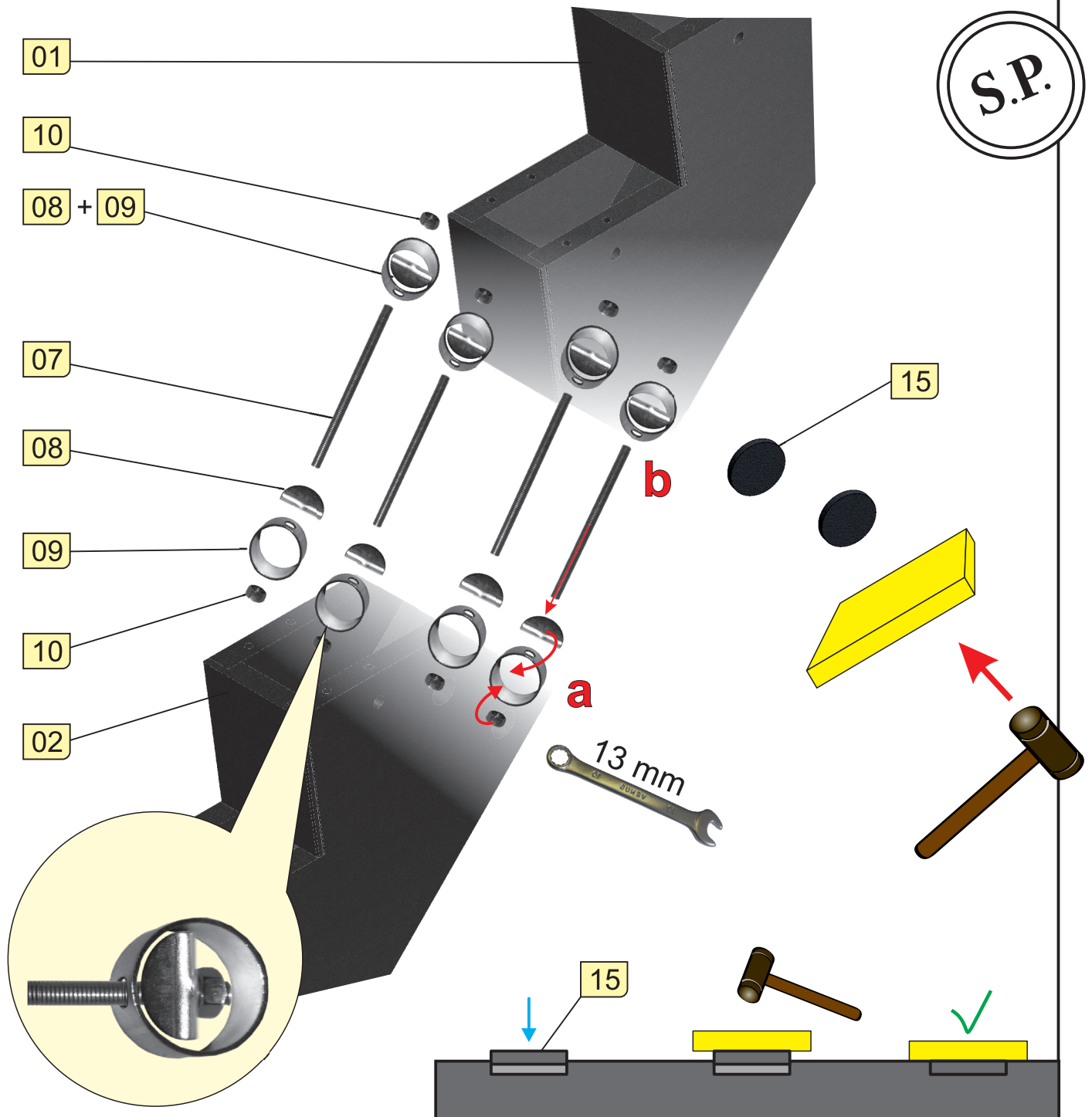
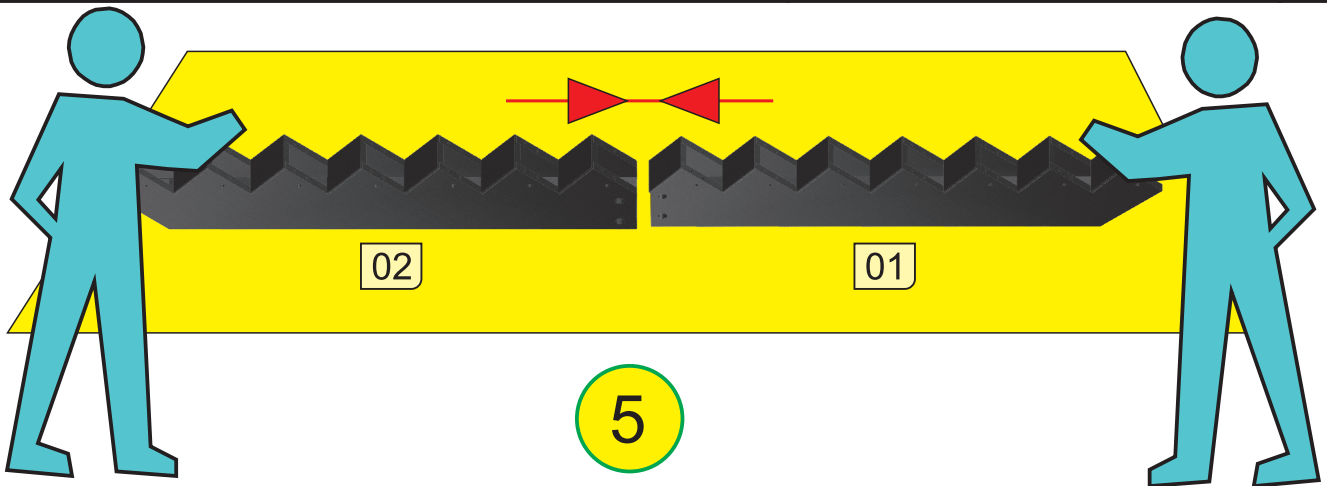
C= _____ cm

D= _____ cm

E= _____ cm



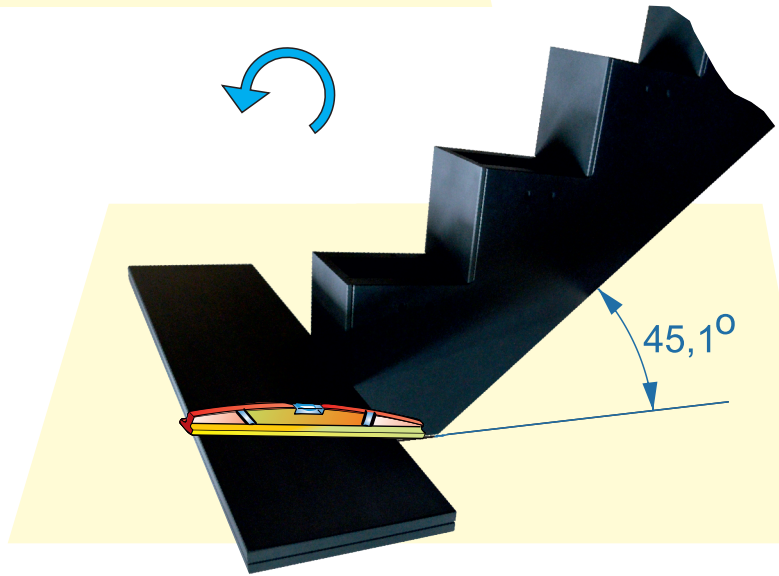
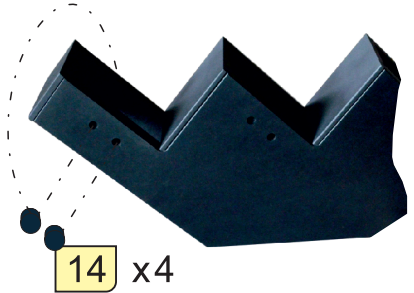
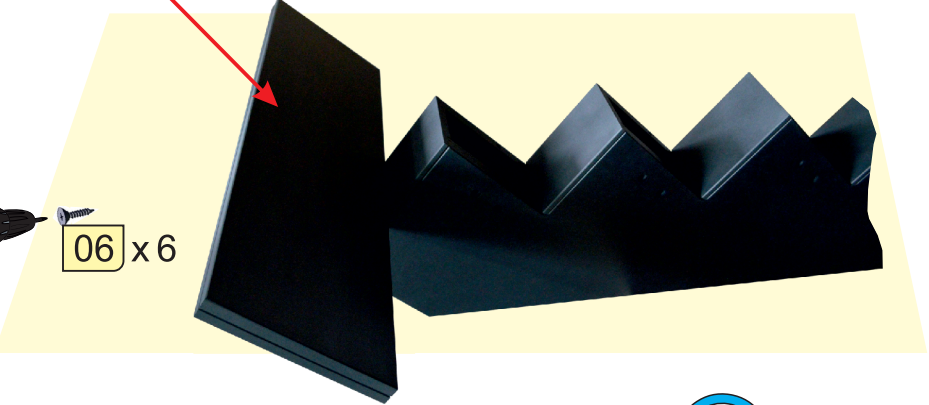
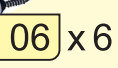
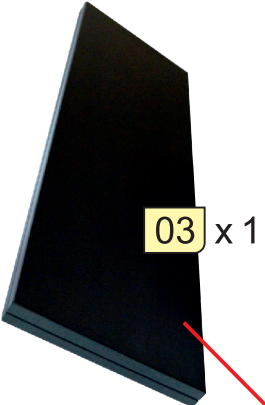
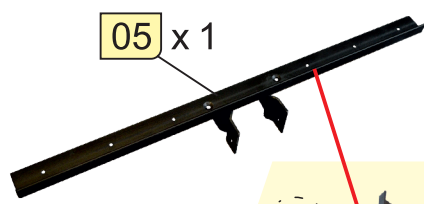
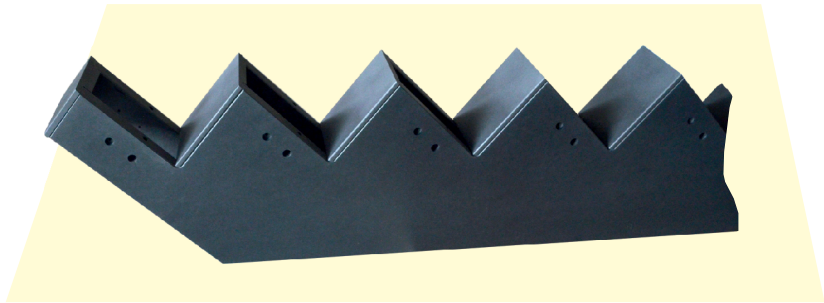






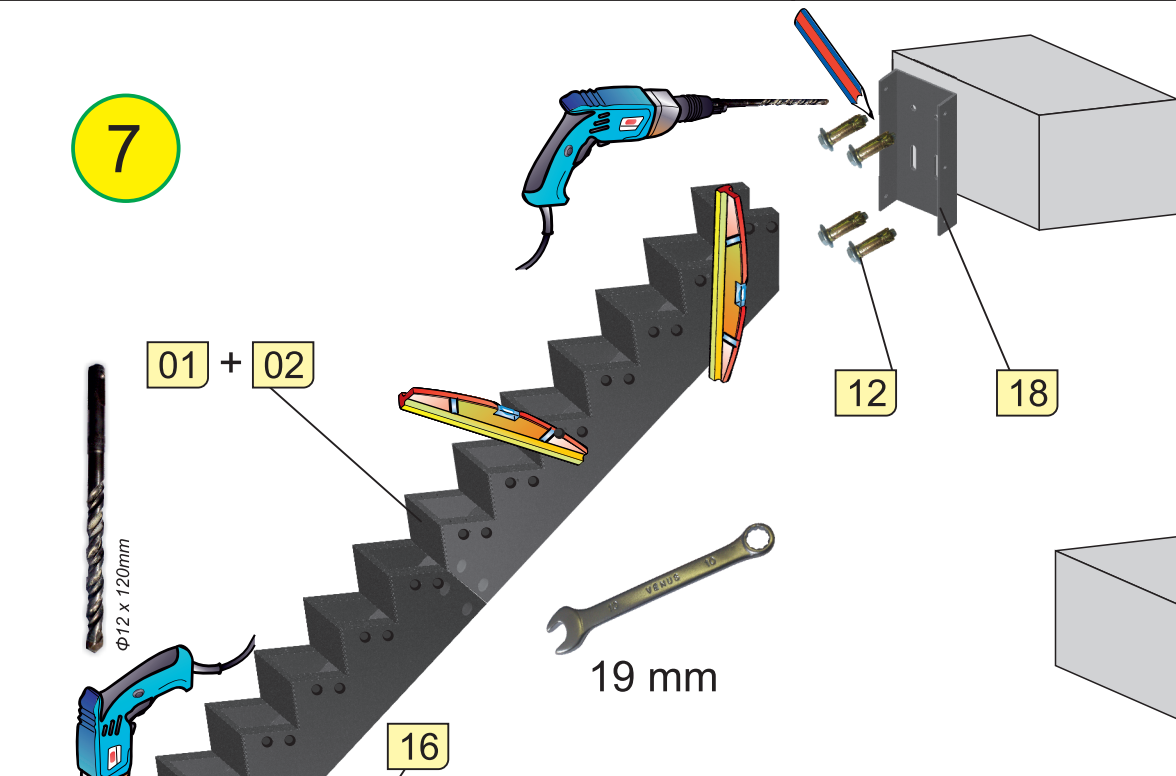
6

S.P.

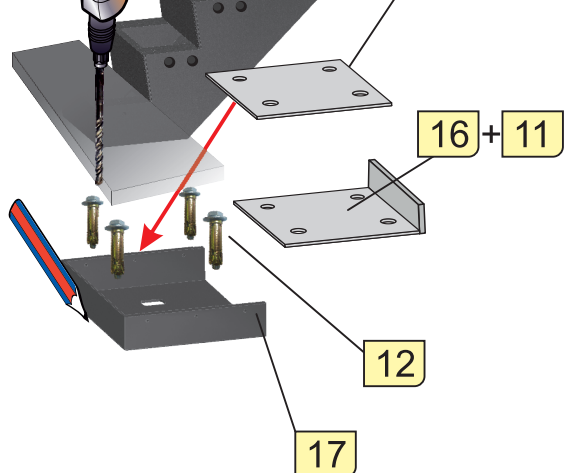




7

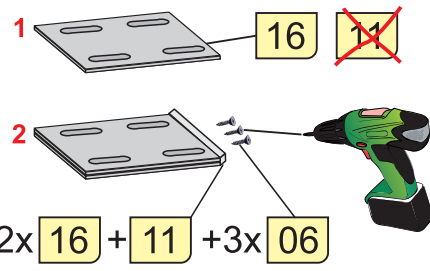
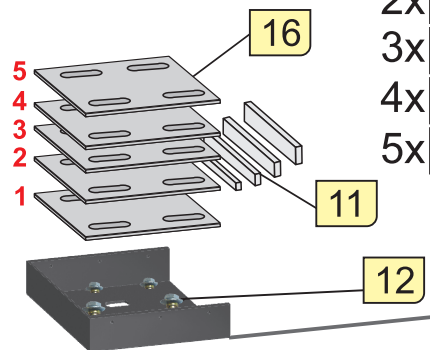


8



h=280,2...285,2 cm

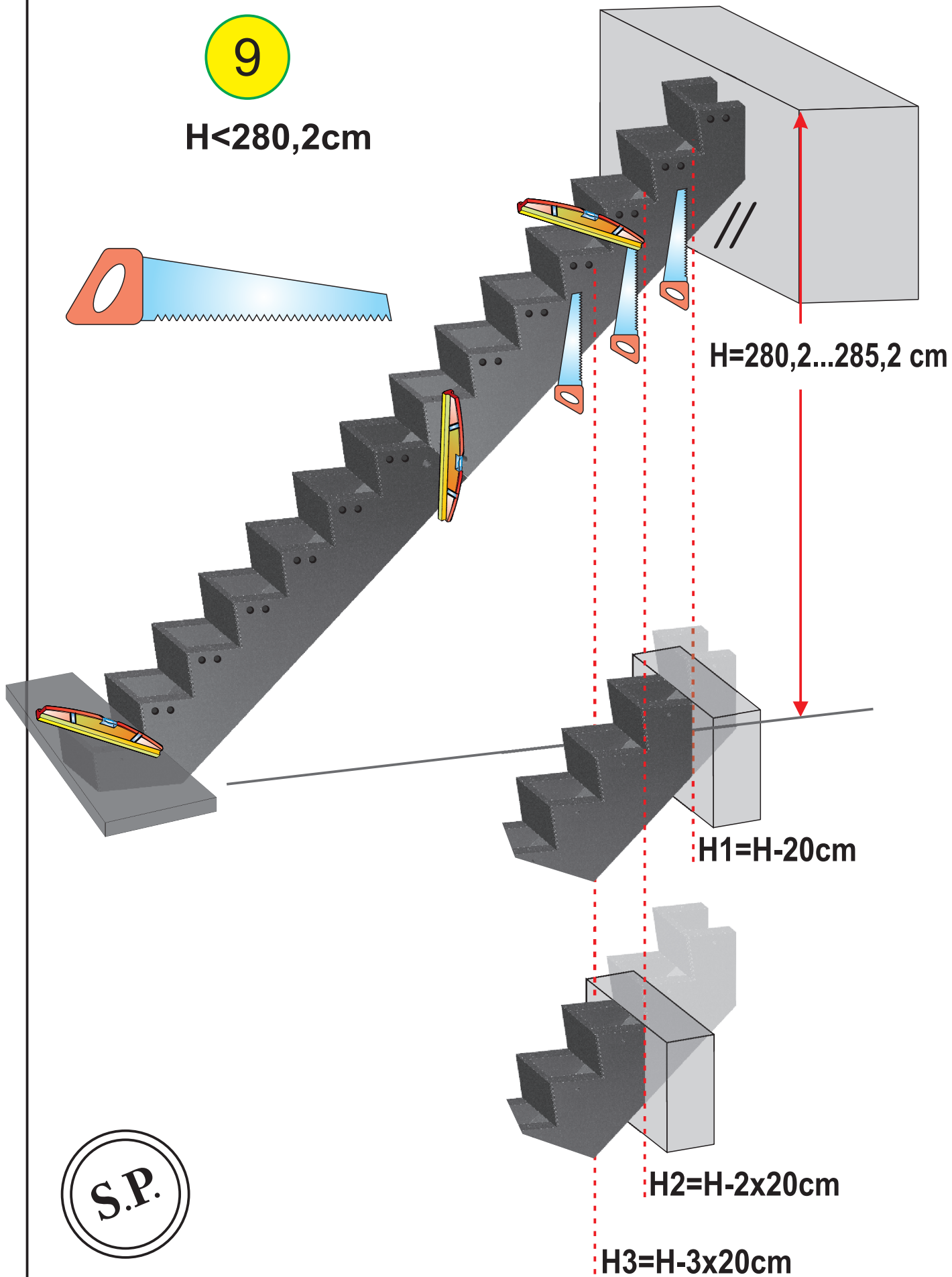
- 0x 16 = 280,2 cm
- 1x 16 = 281,2 cm
- 2x 16+11 = 282,2 cm
- 3x 16+11 = 283,2 cm
- 4x 16+11 = 284,2 cm
- 5x 16+11 = 285,2 cm

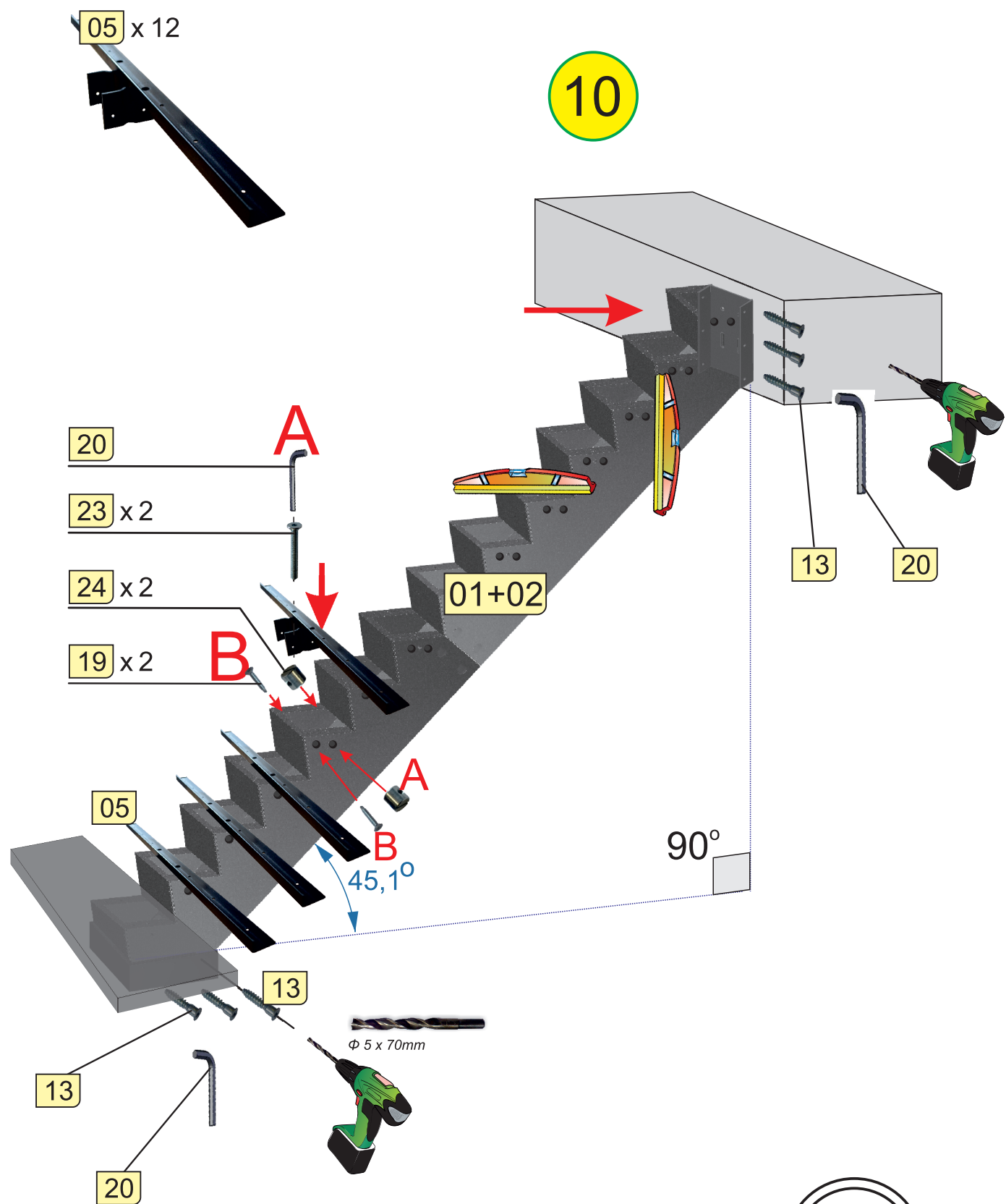




9

$H < 280,2 \text{ cm}$







kit LED

11

